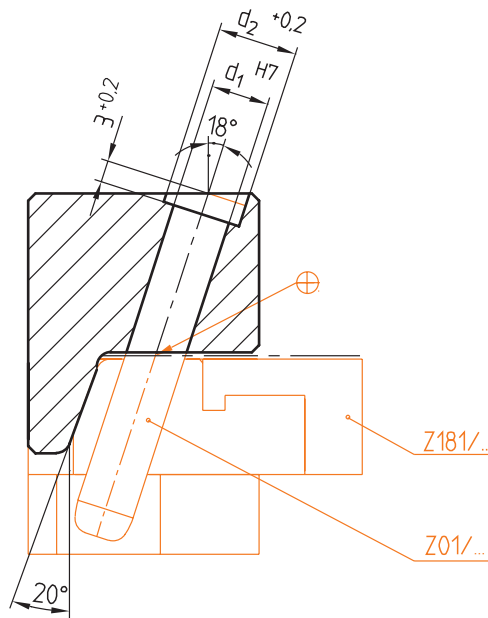
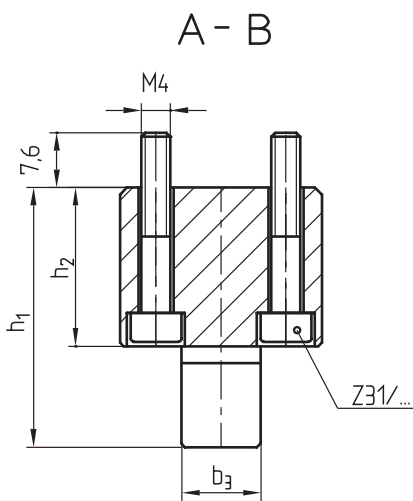
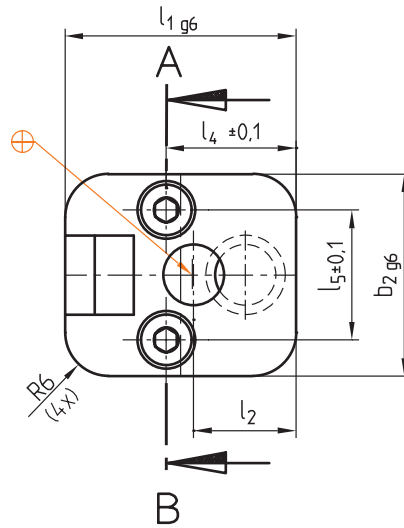


Z1810/...

Mat.: 1.2767 / 53 + 2 HRC



Neu / New / Nouveau

Z31/...	h ₂	h ₁	l ₄	l ₂	l ₁	b ₃	l ₅	b ₂	d ₂	d ₁	Nr./No.
Z31/4x25	22	36	18	14,2	32	11	18	28	11	8	Z1810/ 8
Z31/4x30	27	44	22	17,2	40	15	20	32	13	10	10

This is trial version
www.adultpdf.com